



Selectable Output Horns, Strobes, and Horn Strobes

System Sensor selectable output horns, strobes, and horn strobes are rich with features guaranteed to reduce installation times and maximize profits.

Features

- Mounting plate included for compatibility with a wide range of back box sizes
- Three field selectable candela settings: 15, 75, and 115
- Easy to use rotary dials for selection of candela and horn settings
- Built in synchronization feature keeps strobes in sync for up to 30 minutes
- Strobes Listed to UL 1638; Horns Listed to UL 464
- Horn settings on the horn strobe model include high and low volume, continuous or temporal 3 tone
- Round trim ring available for ceiling mount applications
- Universal Fire symbol is language independent
- Trim plate allows mini horn to mount to a variety of backboxes and fit aesthetically with the horn strobe and strobe

Agency Listings



The System Sensor line of notification devices offers the most flexible and easy-to-use line of horns, strobes, and horn strobes in the industry. With red housing, universal fire symbol and a ceiling mount accessory available these devices can meet virtually any application. They also mount to a wide variety of back box sizes to offer the most flexibility in installation.

This line of devices features a wide variety of features that simplifies installations. The mounting plate allows the devices to be compatible with a wide range of back box sizes. Settings for the strobe and horn are done using easy to set rotary switches on the back of the device. Synchronization is achieved without the use of additional modules; when powered with a filtered DC source, the strobe portion is capable of self synchronization for 30 minutes per NFPA 72.

Devices work on 24 volts DC or full wave rectified power. Three candela options are available for the strobe. On the horn strobe model, high and low volume are options for the horn as well as a continuous tone or temporal 3 output. The mini horn model has a continuous tone output and one volume setting.

Available accessories include a round trim ring to adapt the wall device for ceiling mount applications. Simply install the round ring over the square device for a perfect fit on the ceiling. An adapter plate is also available for the mini horn. It fits to a wider range of back boxes and fits with the family look of the horn strobe and strobe devices.

System Sensor Specifications

Architect/Engineer Specifications

General

System Sensor strobe and horn strobes shall mount to a 2"x4", 4"x4", single-gang, double-gang, 4" Octagon, 105mm x 105mm, 65mm round, 86mm x 86 mm, 60mm x 60mm back box. System Sensor devices shall be powered from a non-coded notification appliance circuit output and shall operate on a nominal 24 volts. 24-volt-rated notification appliance circuit outputs shall operate between 17 and 33 volts. Devices operate between 32 and 120 degrees Fahrenheit from a regulated DC or full-wave rectified unfiltered power supply. Strobes and horn strobes shall have field-selectable candela settings including 15, 75 and 115 cd. The devices shall not operate on a coded power supply. Horn - strobe and strobe devices shall have built-in synchronization capability. Upon initial power up the devices shall be synchronized for up to 30 minutes.

Strobe

The strobe shall be a System Sensor Model ST or ST-R listed to UL 1638 and shall be approved for fire protective service. The strobe shall be wired as a primary-signaling notification appliance flashing at 1 Hz over the strobe's entire operating voltage range. The strobe light shall consist of a xenon flash tube and associated lens/reflector system.

Horn Strobe Combination

The horn strobe shall be a System Sensor Model _____ listed to UL 1638 and UL 464 and shall be approved for fire protective service. The horn strobe shall be wired as a primary-signaling notification appliance and comply with the Americans with Disabilities Act requirements for visible signaling appliances, flashing at 1 Hz over the strobe's entire operating voltage range. The strobe light shall consist of a xenon flash tube and associated lens/reflector system. The horn shall have two audibility options and an option to switch between a temporal three-pattern and a non-temporal (continuous) pattern. These options are set by a multiple position switch.

Mini Horn

The mini horn shall mount to a single-gang back box. With the accessory trim plate it shall mount to a 2"x4", 4"x4", single-gang, double-gang, 105mm x 150mm, 65mm round, 86mm x 86mm, 60mm x 60mm back box. The mini horn shall provide a continuous tone output.

Physical/Electrical Specifications

Standard Operating Temperature	32°F to 120°F (0°C to 49°C)
Humidity Range	10 to 93% non-condensing
Strobe Flash Rate	1 flash per second
Nominal Voltage	Regulated or regulated 24 DC/FWR ¹
Operating Voltage Range²	16 to 33 V (24 V nominal)
Input Terminal Wire Gauge	14 to 18 AWG*
Strobe and horn strobes dimensions(including lens)	5.15" L x 5.0" W x 1.5" D (131 mm x 127mm x 38mm)
Ceiling trim ring dimensions (sold as a pack of 5)	6.8" dia / 1.5" depth (173 mm dia / 1.5" depth)
Mini Horn Dimensions	4.6"L x 2.9" W x 1.44" D (117 mm x 74 mm x 37mm)
Mini horn trim plate (sold as a pack of 5)	5.1" L x 5.0" W x 1.73" D (151 mm L x 129 mm W x 43 mm D)

Full Wave Rectified (FWR) voltage is a non-regulated, time-varying power source that is used on some power supply and panel outputs.

* Mini horn is rated for 12 to 18 AWG

UL Current Draw Data

UL Max. Strobe Current Draw (mA RMS)				
		16–33 Volts		
	Switch Position	Candela	DC	FWR
Standard Candela Range	Position 1	15	34	45
	Position 2	75	63	74
	Position 3	115	79	89

UL Max. Current Draw Horn Strobe				
		16–33 Volts		
	DC Input	15	15/75	30
	Temporal High	36	67	84
	Temporal Medium	34	65	82
	Continuous High	40	72	90
	Continuous Low	37	68	85
		FWR Input		
	Temporal High	51	77	83
	Temporal Low	49	75	92
	Continuous High	55	82	98
	Continuous Low	50	78	94

Horn Tones and Sound Output Data

Horn Strobe Output (dBA)								
			24-Volt Nominal					
Switch Position	Sound Pattern	dB	16–33 Volts [†]		Reverberant		Anechoic	
			DC	FWR	DC	FWR	DC	FWR
1	Temporal	High	78	77	78	77	103	104
2	Temporal	Low	74	73	74	73	100	101
3	Continuous	High	82	80	82	80	103	104
4	Continuous	Low	80	78	80	78	100	101

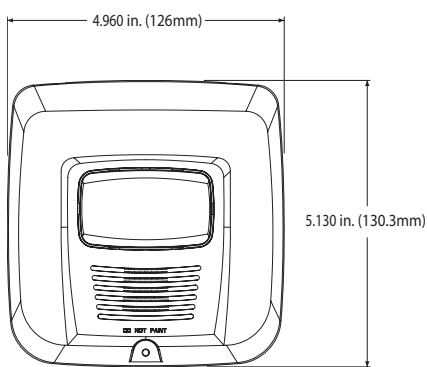
[†]Minimum dB rating for Operational Voltage Range as per UL 464.

Mini Horn Sound Output Data

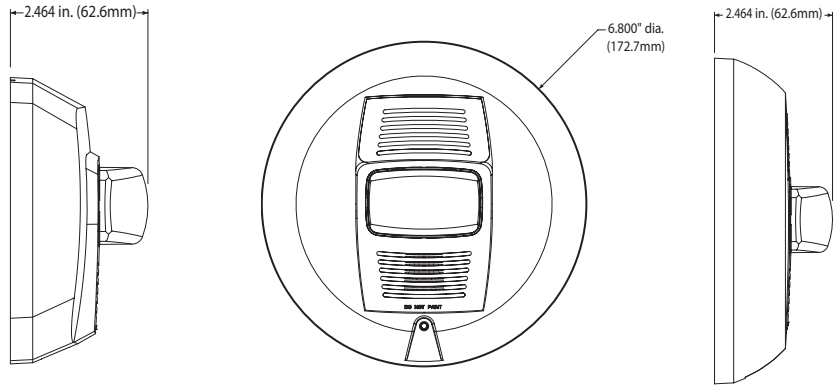
Tone	Power Supply	12V	24V
Continuous	DC	75 dBA	82 dBA
	FWR	75 dBA	80 dBA

Mini Horn Current Draw

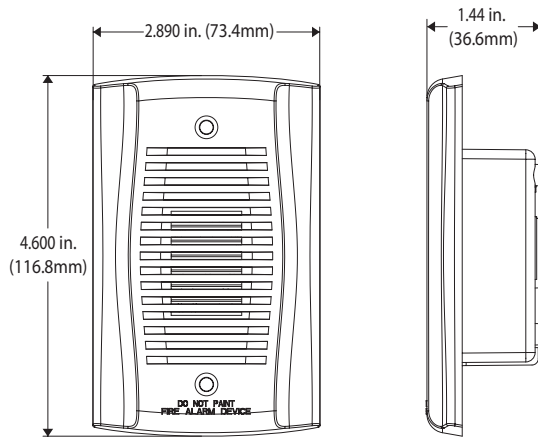
Tone	Power Supply	12V	24V
Continuous	DC	13	21
	FWR	13	22



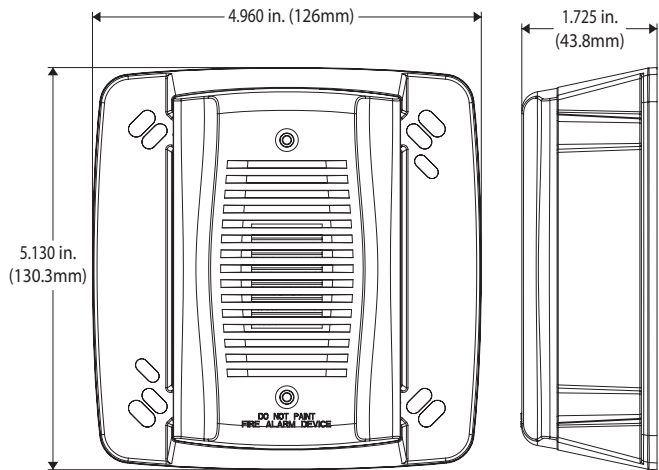
Wall Mount Horn Strobe Product



Wall Mount Horn Strobe with Optional Ceiling Trim Ring



Mini Horn



Mini Horn with Optional Trim Plate

System Sensor Ordering Information

Model	Description
Wall Horn Strobes	
SYS-HS	Horn Strobe
SYS-HSR	Horn Strobe, Red Lens
Wall Strobes	
SYS-ST	Strobe
SYS-STR	Strobe, Red Lens with Chinese Lettering

Model	Description
Trim Plate	
SYS-CTP	Round Trim Ring for Ceiling Installation
SYS-CTPR	Round Trim Ring for Ceiling Installations for Use with Red Lens Strobes and Horn Strobes
Mini Horn	
MHR1	Mini-Horn, Red
SYS-MHTP	Trim Ring for use with the Mini Horn



28 Tuan Jie South Road, Xi'an National • Province of Shaanxi, 710075, China
Phone: (029) 85387800 • Fax: (029) 88332959

©2010 System Sensor.
Product specifications subject to change without notice. Visit systemsensor.com for current product information, including the latest version of this data sheet.
AVD500100 - 6/10 - #2352